



RECHARGEABLE HEADLIGHT
VOLT100

HL-EL150RC **Li-ion 3.7v**

Manual



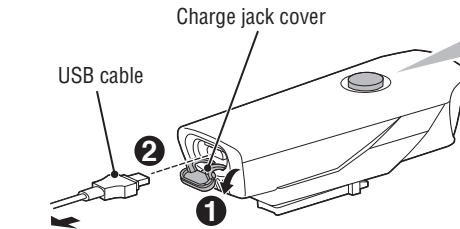
Before using the light, please read this manual and the included separate sheet "LITHIUM-ION / LITHIUM-ION POLYMER BATTERIES" thoroughly, and keep them for future reference. The latest manual can be downloaded from the CatEye website.

Design Pat. Pending
Copyright© 2015 CATEYE Co., Ltd.
EL150RC-150515 3



1 HOW TO CHARGE

Always charge the product before use.



To PC or USB battery charger

Switch (Indicator)



Charging

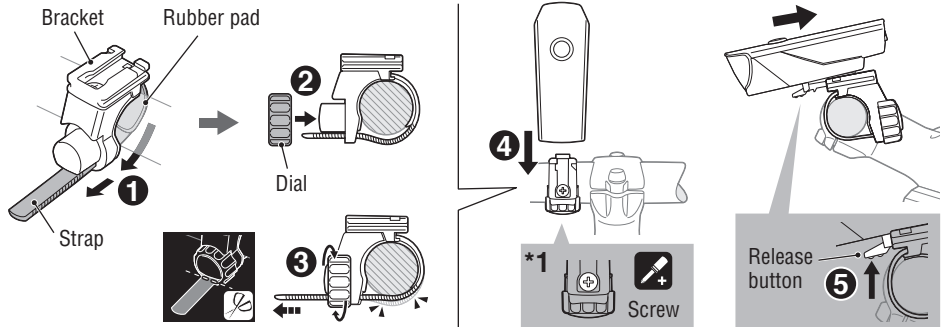
Charging is completed

Standard charging time

Approx. **3 h**
(USB 2.0)

* A flashing light indicates a charging error. Remove the cable and try again.

2 HOW TO MOUNT



*1: Check the dial and screw (*1) on the bracket periodically, and use them without any loosening.

⚠ PRECAUTIONS ON USE

- Before your trip, please make sure the light is firmly mounted to the bracket, it lights up, and the light is not blocked by baggage, etc.
- Do not place it within children's reach.
- In preparation for unexpected battery shutoff, we recommend you carry a spare light.
- Mounting the light unit too close to a wireless computer may adversely affect the reading of the computer.
- This product is water-resistant under normal daily use and can be used in the rain. However, do not intentionally submerge it in water.
- If the light unit or parts become dirty with mud, etc., clean with a soft cloth which is moistened with mild soap. Never apply paint thinner, benzene or alcohol; damage will result.

⚠ PRECAUTIONS ON CHARGING

- We recommend using 500+mA (USB2.0) USB battery charger.
- When your PC is in sleep state, the unit cannot be charged.
- Charging and lighting times are approximate values, and will vary by environmental and user conditions.

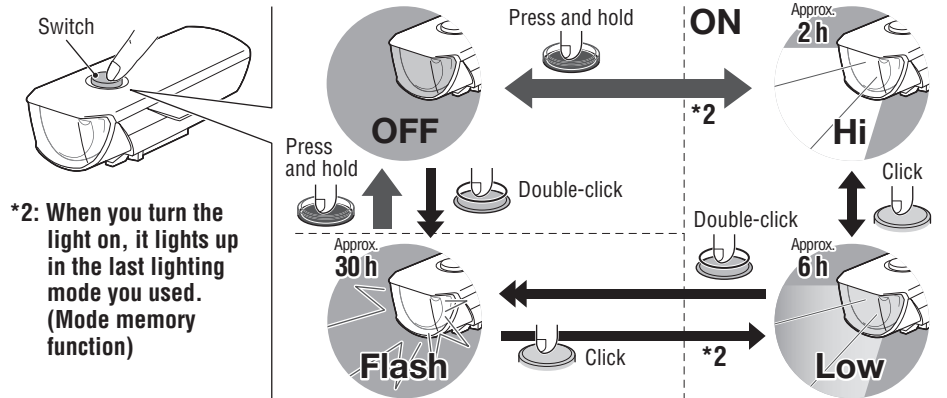
⚠ PRECAUTIONS WHEN MOUNTING

- To re-adjust the beam angle, loosen the dial enough to move the bracket, and firmly tighten it after adjustment.
- Be sure to tighten the dial by hand. When you tighten it too hard with a tool, the screw thread may be stripped.
- Round off the cut edge of the bracket strap to prevent injury.

⚠ PRECAUTIONS ON DISPOSAL

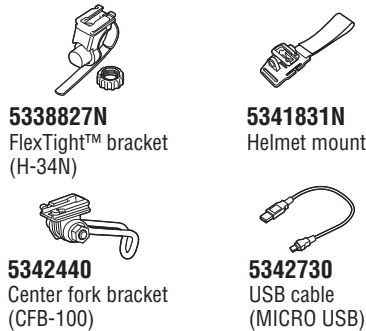
When disposing of the light unit, remove the internal rechargeable battery and dispose of it according to local regulations.

3 SWITCH OPERATION



* When the switch (indicator) lights up, the remaining battery power is 20% or less. Please charge as soon as possible.

SPARE/OPTIONAL PARTS



SPECIFICATIONS

Battery : Li-ion 3.7v 800 mAh
Temperature range : 14°F – 104°F (-10°C – 40°C)
Recharge/discharge number of times : About 300 times (until the rated capacity drops to 70%)
Dimensions/weight : 1-11/32" x 3-35/64" x 1-3/8" (34 x 90 x 35 mm) / 2.3 oz (65 g)

* The specifications and design are subject to change without notice.

LIMITED WARRANTY

2-year Warranty: Light unit only (excludes battery deterioration)

CatEye products are warranted to be free of defects from materials and workmanship for a period of 2 years from original purchase. If the product fails to work during normal use, CatEye will repair or replace the defect at no charge. Service must be performed by CatEye or an authorized retailer. To return the product, pack it carefully and enclose the warranty certificate (proof of purchase) with instruction for repair. Please write or type your name and address clearly on the warranty certificate. Insurance, handling and transportation charges to CatEye shall be borne by person desiring service. For UK and REPUBLIC OF IRELAND consumers, please return to the place of purchase. This does not affect your statutory rights.

Please register your CatEye product on the website.
<http://www.cateye.com/en/support/regist/>

CAT EYE CO., LTD.

2-8-25, Kuwazu, Higashi Sumiyoshi-ku, Osaka 546-0041 Japan
Attn: CATEYE Customer Service Section
Phone : (06)6719-6863
Fax : (06)6719-6033
E-mail : support@cateye.co.jp
URL : http://www.cateye.com

[For US Customers]
CATEYE AMERICA, INC.
2825 Wilderness Place Suite 1200,
Boulder CO 80301-5494 USA
Phone : 303.443.4595
Toll Free: 800.5.CATEYE
Fax : 303.473.0006
E-mail : service@cateye.com