



CATEYE

VELO WIRELESS +

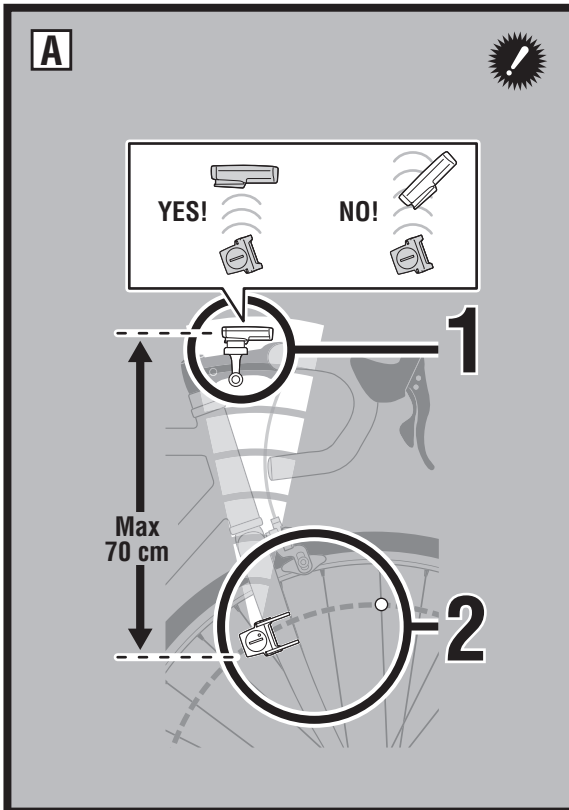
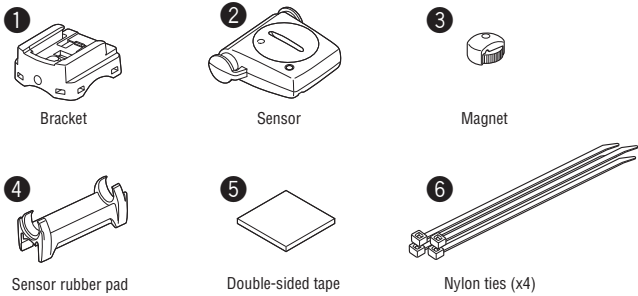
CYCLOCOMPUTER CC-VT210W

Owner's Manual

U.S. Pat. Nos. 5236759/5308419/6957926 Pat./Design Pat. Pending
 Copyright© 2011 CATEYE Co., Ltd.
 CCVT21W-110930 066600910 3

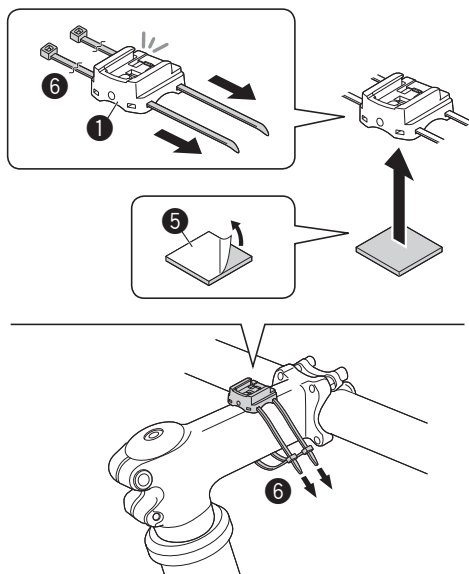


INSTALL



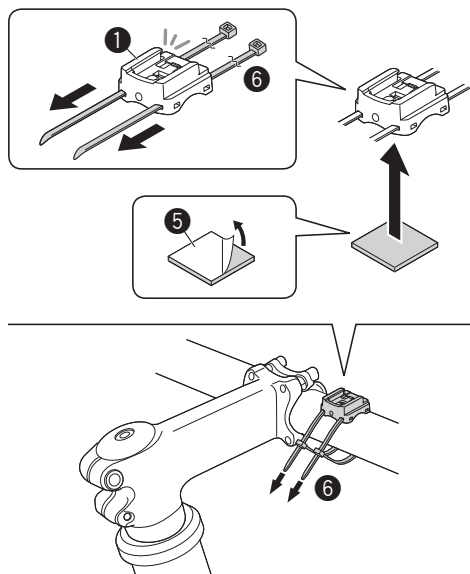
1 Bracket

[Stem]

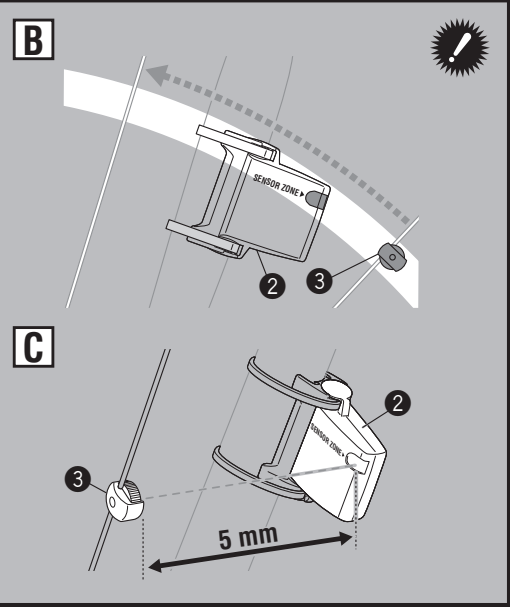
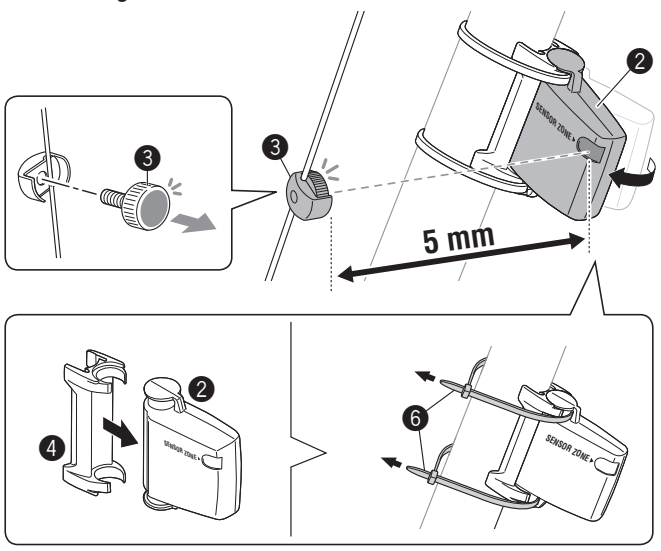


or

[Handlebar]



2 Sensor/Magnet

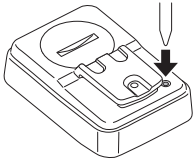


ENG

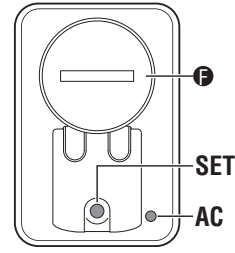
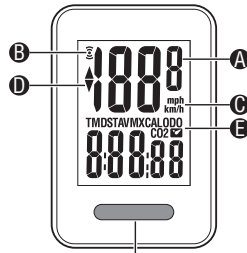
CC-VT210W VELO WIRELESS +

SETTING

1 | All Clear



TM	= 0
DST	= 0
AV	= 0
MX	= 0
CAL	= 0
CO2	= 0
ODO	= 0
<input checked="" type="checkbox"/>	= 0



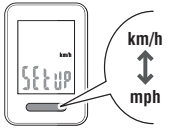
MODE

- A Current speed
- B Sensor signal icon
- C Speed unit km/h mph
- D Pace arrow ▲▼

- E Selected mode
 - F Battery case cover
- * Refer to "Element names" for details.

2 | Select km/h or mph

Set: km/h



Register the setting

3 | Tire Size

[Quick setting size]



Set: 27"

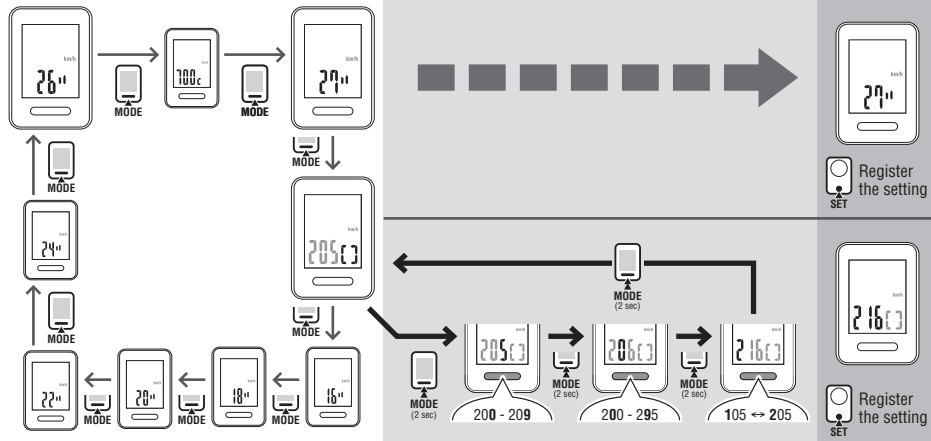
or

[Detailed setting size]



ETRTO	Tire size	L (cm)
28-630	27x1-1/8	216
32-630	27x1-1/4	216
37-630	27x1-3/8	217
18-622	700x18C	207

Set: 216

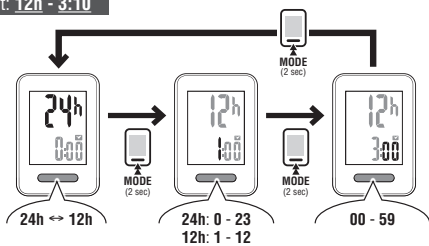


Register the setting

Register the setting

4 | Clock Setting

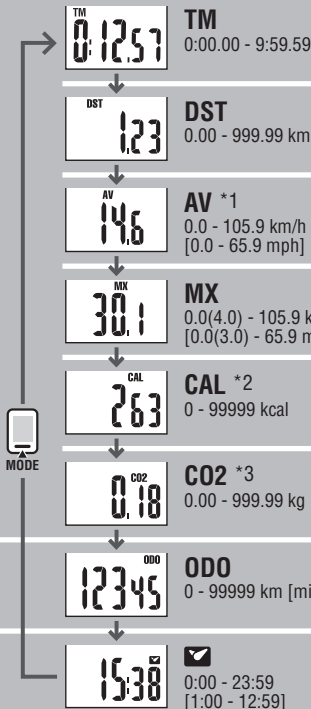
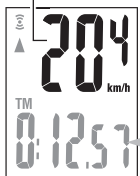
Set: 12h - 3:10



Register the setting (Finish)

OPERATION FLOW

Current Speed
0.0(4.0) - 105.9 km/h
[0.0(3.0) - 65.9 mph]



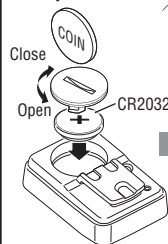
Data Reset



TM	= 0
DST	= 0
AV	= 0
MX	= 0
CAL	= 0
CO2	= 0

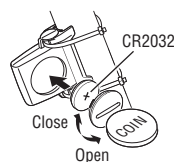
Battery

Computer



SETTING
1.All clear

Sensor



Before using the computer, please thoroughly read this manual and keep it for future reference.

WARNING / CAUTION

- Do not concentrate on the computer while riding. Ride safely!
- Install the magnet, sensor, and bracket securely. Check these periodically.
- If a child swallows a battery, consult a doctor immediately.
- Do not leave the computer in direct sunlight for a long period of time.
- Do not disassemble the computer.
- Do not drop the computer to avoid malfunction or damage.
- When cleaning the computer, bracket and sensor, do not use thinners, benzene, or alcohol.
- Dispose of used batteries according to local regulations.
- LCD screen may be distorted when viewed through polarized sunglass lenses.

Wireless Sensor

The sensor was designed to receive signals within a maximum range of 70 cm, to reduce chance of interference. When adjusting the wireless sensor, note the following:

- Signals cannot be received if the distance between the sensor and the computer is too large.
 - The receiving distance may be shortened due to low temperature and exhausted batteries.
 - Signals can be received only when the back of the computer is facing the sensor.
- Interference may occur, resulting in incorrect data, if the computer is:
- Near a TV, PC, radio, motor, or in a car or train.
 - Close to a railroad crossing, railway tracks, TV stations and/or radar base.
 - Using with other wireless devices in close proximity.

Install the sensor and magnet

- A** The distance between the computer and the sensor must not exceed the transmission range of 70 cm. The back of the computer must face the sensor.
 - B** The magnet passes through the sensor zone.
 - C** The clearance between the sensor and magnet is 5 mm or less.
- * The magnet may be installed anywhere on the spoke if the above installation conditions are satisfied.

Element names

- A Current speed**
- Sensor signal icon**
Flashes in synch with a sensor signal.
- Speed unit km/h mph**
- Pace arrow**
Indicates whether the current speed is faster (▲) or slower (▼) than the average speed.
- Selected mode**
Indicates the data currently selected.
TM.....Elapsed Time **DST**..... Trip Distance
AV*.....Average Speed **MX**..... Maximum Speed
CAL.....Calorie Consumption **CO2**..... Carbon offset
ODO.....Total Distance **☑**..... Clock
 *1 When **TM** exceeds about 27 hours, or **DST** exceeds 999.99 km, **E** will appear. Reset the data.

Battery case cover

Starting/Stopping measurement

Measurements start automatically when the bicycle is in motion. During measurement, **km/h** or **mph** flashes.

Switching computer function

Pressing **MODE** switches the measurement data at the bottom in the order of **OPERATION FLOW**.

Resetting data

Pressing and holding **MODE** on the measuring screen returns the measurement data to 0. The odometer is not reset.

Power-saving mode

If the computer has not received a signal for 10 minutes, power-saving mode will activate and only the clock will be displayed. When the computer receives a sensor signal, the measuring screen reappears. If another 2 weeks' inactivity elapsed, **SLEEP** will be displayed on the screen. Pressing the **MODE** in **SLEEP** mode brings up the measuring screen.

Calorie Consumption *2

The calorie consumption data is only the accumulated value that is calculated from the speed data of every second. It differs from the actual consumed calorie.

Speed	10 km/h [mph]	20 km/h [mph]	30 km/h [mph]
Kcal per hour	67.3 kcal [155.2 kcal]	244.5 kcal [768.2 kcal]	641.6 kcal [2297.2 kcal]

How to calculate the Carbon offset *3

The Carbon offset are calculated as follows.
 Trip distance (km) x 0.15 = Carbon offset (kg)
 * This factor of 0.15 is determined by applying the average value of the overall gasoline-powered passenger cars in 2008 to the equation of the "Carbon offset from 1km drive of a gasoline-powered car" described on the website of the Ministry of Land, Infrastructure and Transport and Tourism.

Maintenance

To clean the computer or accessories, use diluted neutral detergent on a soft cloth, and wipe it off with a dry cloth.

Replacing the battery

- Computer**
When the display appears dim, or the computer hardly receives a sensor signal, replace the battery. Install a new lithium battery (CR2032) with the (+) side facing upward.
* After replacing the computer battery, follow the procedure described in **SETTING**.
- Sensor**
When the speed is not displayed even after adjusting correctly, replace the battery. After replacement, check the positions of the sensor and magnet.



Troubleshooting

The sensor signal icon does not flash (the speed is not displayed). (Move the computer near the sensor, and turn the front wheel. If the sensor signal icon flashes, this trouble may be a matter of transmission distance due to battery drain, but not any malfunction.)

Check that the clearance between the sensor and magnet is not too large. (Clearance: within 5 mm)

Check that the magnet passes through the sensor zone correctly. Adjust the positions of the magnet and sensor.

Is the computer installed at the correct angle? Back of computer must face toward the sensor.

Check that the distance between the computer and sensor is correct. (Distance: within 20 to 70 cm) Install the sensor within the specified range.

Is the computer or sensor battery weak? In winter, battery performance diminishes. Replace with new batteries. After replacement, follow the procedure "Replacing the battery".

No display. Is battery in the computer run down? Replace it with a new battery. After replacement, follow the procedure described in **SETTING**.

Incorrect data appear. Follow the procedure described in **SETTING**.

Specification

- Battery**
Computer: Lithium battery (CR2032) x 1
Sensor : Lithium battery (CR2032) x 1
- Battery life**
Computer: Approx. 1 year (If the computer is used for 1 hour/day; the battery life will vary depending on the conditions of use.)
Sensor : Unit Total Distance reaches about 10000 km (6250 mile)
* This is the average figure of being used under 20 °C temperature and the distance between the computer and the sensor is 65 cm.
- Controller**.....4 bit, 1-chip microcomputer (Crystal controlled oscillator)
- Display**.....Liquid crystal display
- Sensor**.....No contact magnetic sensor
- Transmission distance**...Between 20 and 70 cm
- Tire size to be selected**
.....26", 700c, 27", 16", 18", 20", 22" and 24", or tire circumference of 100 cm - 299 cm (initial value: 26 inch)
- Working temperature**
.....32 °F - 104 °F (0 °C - 40 °C) (This product will not display appropriately when exceeding the Working Temperature range. Slow response or black LCD at lower or higher temperature may happen respectively.)
- Dimensions/weight**
Computer : 2-3/16" x 1-15/32" x 5/32" (55.5 x 37.5 x 18.5 mm) / 0.99 oz (28 g)
Sensor : 1-41/64" x 1-3/8" x 19/32" (41.5 x 35 x 15 mm) / 0.53 oz (15 g)
* The factory-loaded battery life might be shorter than the above-mentioned specification.
* The specifications and design are subject to change without notice.

LIMITED WARRANTY

2-Year Computer/Sensor only (Accessories/Bracket sensor and Battery Consumption excluded)
 CatEye cycle computers are warranted to be free of defects from materials and workmanship for a period of two years from original purchase. If the product fails to work due to normal use, CatEye will repair or replace the defect at no charge. Service must be performed by CatEye or an authorized retailer. To return the product, pack it carefully and enclose the warranty certificate (proof of purchase) with instruction for repair. Please write or type your name and address clearly on the warranty certificate. Insurance, handling and transportation charges to CatEye shall be borne by person desiring service.
 For UK and REPUBLIC OF IRELAND consumers, please return to the place of purchase. This does not affect your statutory rights.

CATEYE CO., LTD.

2-8-25, Kuvazu, Higashi Sumiyoshi-ku, Osaka 546-0041 Japan
 Attn: CATEYE Customer Service
 Phone : (06)6719-6863
 Fax : (06)6719-6033
 E-mail : support@cateye.co.jp
 URL : http://www.cateye.com

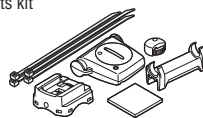
[For US Customers]

CATEYE AMERICA, INC.
 2825 Wilderness Place Suite 1200, Boulder CO80301-5494 USA
 Phone : 303.443.4595
 Toll Free : 800.5CATEYE
 Fax : 303.473.0006
 E-mail : service@cateye.com

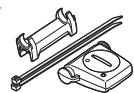
ETRT0	Tire size	L (cm)
40-254	14x1.50	102
47-254	14x1.75	110
40-305	16x1.50	119
47-305	16x1.75	120
54-305	16x2.00	125
28-349	16x1-1/8	129
37-349	16x1-3/8	130
32-369	17x1-1/4 (369)	134
40-355	18x1.50	134
47-355	18x1.75	135
32-406	20x1.25	145
35-406	20x1.35	146
40-406	20x1.50	149
47-406	20x1.75	152
50-406	20x1.95	157
28-451	20x1-1/8	155
37-451	20x1-3/8	162
37-501	22x1-3/8	177
40-501	22x1-1/2	179
47-507	24x1.75	189
50-507	24x2.00	193
54-507	24x2.125	197
25-520	24x1(520)	175
	24x3/4 Tubular	179
28-540	24x1-1/8	180
32-540	24x1-1/4	191
25-559	26x1(559)	191
32-559	26x1.25	195
37-559	26x1.40	201
40-559	26x1.50	201
47-559	26x1.75	202
50-559	26x1.95	205
54-559	26x2.10	207
57-559	26x2.125	207
58-559	26x2.35	208
75-559	26x3.00	217
28-590	26x1-1/8	197
37-590	26x1-3/8	207
37-584	26x1-1/2	210
	650C Tubular 26x7/8	192
20-571	650x20C	194
23-571	650x23C	194
25-571	650x25C 26x1(571)	195
40-590	650x38A	213
40-584	650x38B	211
25-630	27x1(630)	215
28-630	27x1-1/8	216
32-630	27x1-1/4	216
37-630	27x1-3/8	217
18-622	700x18C	207
19-622	700x19C	208
20-622	700x20C	209
23-622	700x23C	210
25-622	700x25C	211
28-622	700x28C	214
30-622	700x30C	215
32-622	700x32C	216
	700C Tubular	213
35-622	700x35C	217
38-622	700x38C	218
40-622	700x40C	220
42-622	700x42C	222
44-622	700x44C	224
45-622	700x45C	224
47-622	700x47C	227
54-622	29x2.1	229
60-622	29x2.3	233

STANDARD PARTS

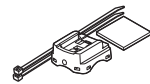
#160-2990 : Parts kit



#160-2196 : Speed sensor



#160-2980 : Bracket



#166-5150 : Lithium battery (CR2032)



#169-9691N : Wheel magnet

