



# CATEYE

## VELO WIRELESS +

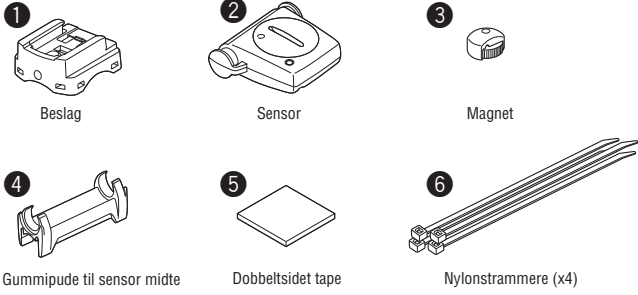
### CYCLOCOMPUTER CC-VT210W

#### Owner's Manual

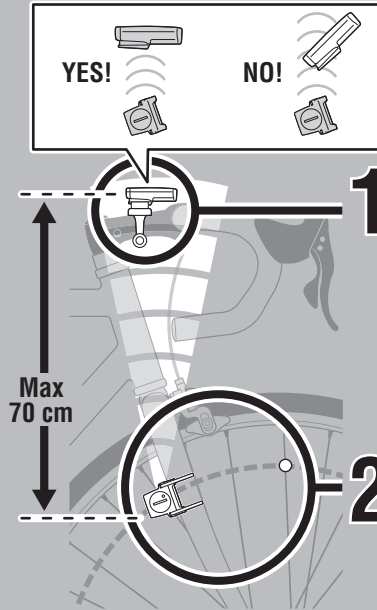
U.S. Pat. Nos. 5236759/5308419/6957926 Pat./Design Pat. Pending  
 Copyright© 2011 CATEYE Co., Ltd.  
 CCVT21W-110930 066600910 3



## INSTALL

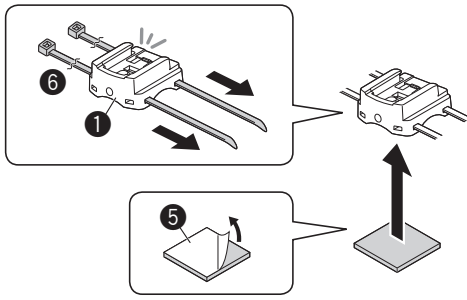


**A**

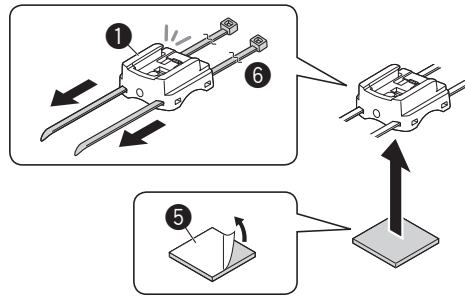


## 1 Bracket

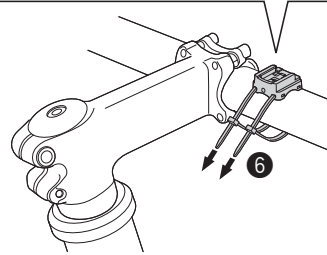
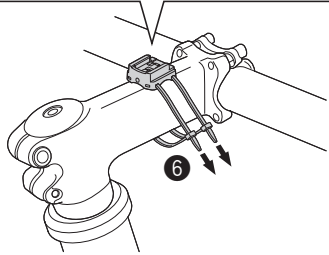
[Stem]



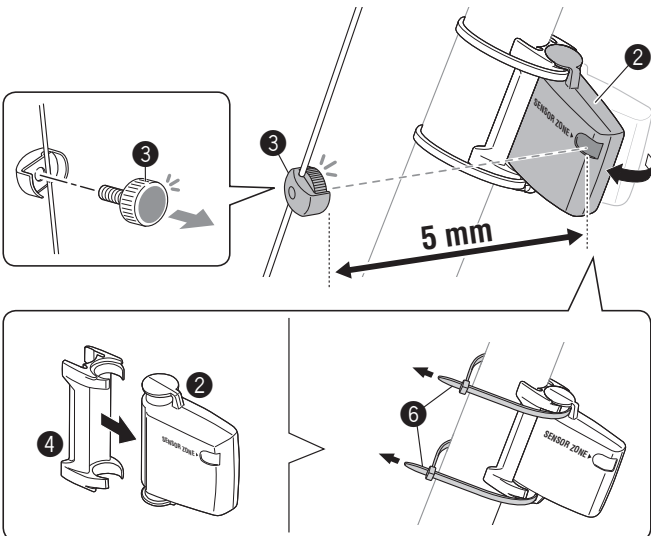
[Handlebar]



or



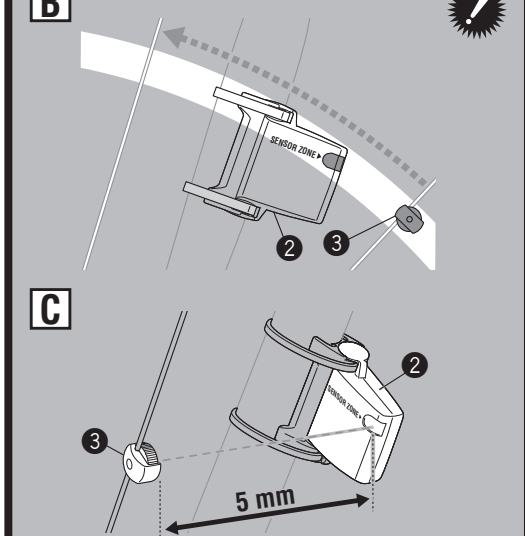
## 2 Sensor/Magnet



**B**



**C**

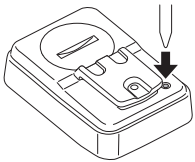


DK

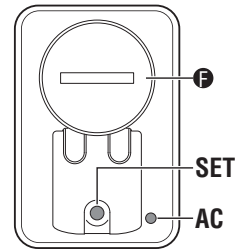
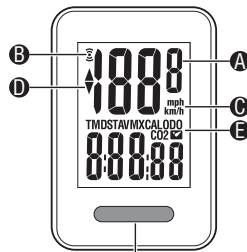
CC-VT210W VELO WIRELESS +

# SETTING

## 1 | All Clear



TM	= 0
DST	= 0
AV	= 0
MX	= 0
CAL	= 0
CO2	= 0
ODO	= 0
<input checked="" type="checkbox"/>	= 0



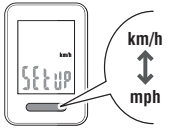
MODE

- A) Aktual hastighed
- B) Ikon for modtagelse af sensorsignal
- C) Hastighedsenhed km/h mph
- D) Tempo  $\blacktriangle$

- E) Valgt tilstand
  - F) Cover til batteriholder
- \* Se "Elementnavne" for detaljer.

## 2 | Select km/h or mph

Set: km/h



Register the setting SET

## 3 | Tire Size

[Quick setting size]



Set: 27"

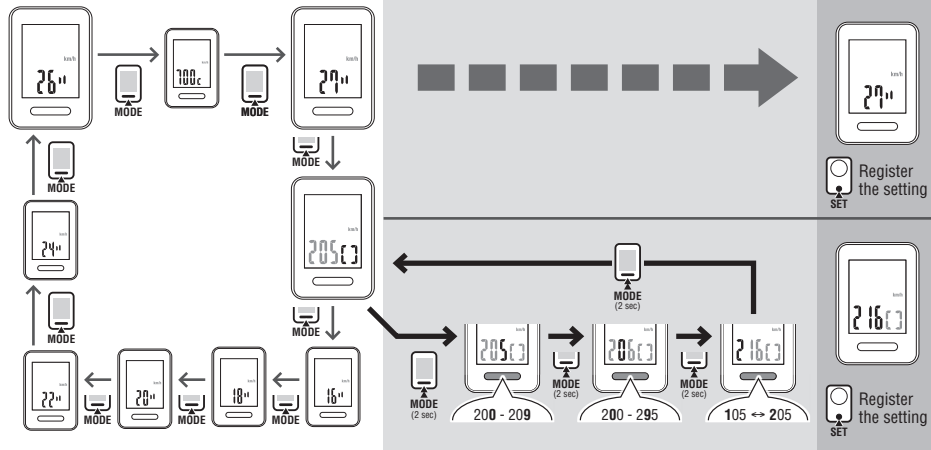
or

[Detailed setting size]



ETRTO	Tire size	L (cm)
28-630	27x1-1/8	216
32-630	27x1-1/4	216
37-630	27x1-3/8	217
18-622	700x18C	207

Set: 216



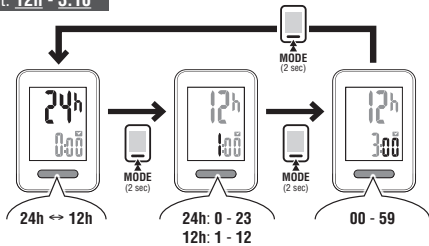
Register the setting SET



Register the setting SET

## 4 | Clock Setting

Set: 12h - 3:10

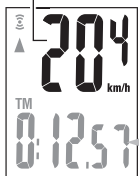


Register the setting (Finish) SET

# OPERATION FLOW

### Current Speed

0.0(4.0) - 105.9 km/h  
[0.0(3.0) - 65.9 mph]



TM 0:00.00 - 9:59.59



DST 0.00 - 999.99 km [mile]



AV \*1 0.0 - 105.9 km/h  
[0.0 - 65.9 mph]



MX 0.0(4.0) - 105.9 km/h  
[0.0(3.0) - 65.9 mph]



CAL \*2 0 - 99999 kcal



CO2 \*3 0.00 - 999.99 kg



ODO 0 - 99999 km [mile]



0:00 - 23:59  
[1:00 - 12:59]

### Data Reset

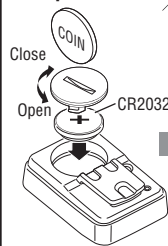


MODE (2 sec)

TM	= 0
DST	= 0
AV	= 0
MX	= 0
CAL	= 0
CO2	= 0

### Battery

#### Computer



SETTING 1.All clear

#### Sensor

