

ENG



RECHARGEABLE SAFETY LIGHT

**NANO G**™

SL-LD170G RC

Manual ~~~~~ K 2078

Before using the light, read this manual thoroughly and keep it for future reference. Do not use the product in any application or method not described in this manual.



Design Pat. Pending  
Copyright © 2022 CATEYE Co., Ltd.  
SLLD170GRC-221107 2.1



The USB cable is not included in the package because CATEYE is committed to making environmentally friendly and resource-saving products. CATEYE will continue to contribute to society by creating new values in "Safety," "Health," and "Environment". CATEYE supports the Sustainable Development Goals movement proposed by the United Nations. ( www.cateye.com/intl/company/sdgs/ )

**WARNING!!! (Risk of death; Prevention of accidents)**

- Check periodically to ensure that the light unit is attached securely. Do not use a damaged rubber band.
- Always pay attention to the remaining battery power by checking the indicator periodically while using the light.
- Do not disassemble or modify the light or any of the included items.

**CAUTION! (Prevention of injury, damage, or property damage)**

- Stop your bicycle to operate the switch.
- Due to the variability of LEDs, the color and brightness may differ even between devices with the same model number.
- Do not place it within children's reach.
- This device is rated IPX4 based on JIS C0920. Do not immerse the device in water. Doing so may cause a malfunction. Wipe off any moisture after using the device in rainy weather.
- Do not subject the light to strong vibrations, impacts, or excessive force. Discontinue use if any abnormality occurs.
- Do not charge or use the battery at any voltage or polarity other than that specified. Do not short-circuit the battery.
- Do not drop the light into a fire or heat the light.
- If the light unit or parts become dirty with mud, etc., clean with a soft cloth which is moistened with mild soap. Never apply paint thinner, benzine or alcohol; damage will result.

**LITHIUM-ION BATTERIES**

**Recharge the battery for first time use or after long period of storage**  
The voltage of the battery may drop due to self-discharge during long period of storage. Always fully charge the battery before use.

**Cautions for charging and usage**

- Using a PC or USB battery charger with an output current of 0.5 A or more is recommended for charging.
- Please be sure that no dust or other foreign objects are attached to the plug of the USB cable before charging.
- Do not subject the light to vibrations while charging.
- When your PC is in sleep state, the unit cannot be charged.
- Once charging is completed, be sure to disconnect the USB cable from the charging port.
- Attach the charging port cover securely to ensure waterproofness.
- Charging time is approximate values, and will vary depending on the environmental and usage conditions.
- Charging, discharging, and storing in high temperatures will cause the rechargeable battery to deteriorate faster. Do not place the light inside a vehicle or near a heater. Make sure to charge only when the ambient temperature is between 5 and 40°C.
- If the illumination time is significantly reduced even after proper charging, the rechargeable battery may be nearing the end of its service life.

**Cautions on storage**

- If the device will not be used for a long period of time, store it in a location that is not too hot or too humid.
- Charge the battery for about 30 minutes every 6 months.

**Cautions for dispose**

When disposing the light unit, please do so in accordance with your local regulations.

**SPECIFICATIONS**

Light source	LED x 1
Battery type	Li-ion 3.7 V - 200 mAh
Charge terminal	Micro B USB
Operating time	Approx. 11 hours * Average runtime at 68°F (20°C).
Standard charging time	Approx. 3 hours (0.5 A)
Charge voltage	5 V
Temperature range	Charging : 41°F - 104°F (5°C - 40°C) Operating : 14°F - 104°F (-10°C - 40°C)
Recharge / discharge number of times	About 300 times (until the rated capacity drops to 70%)
Waterproof	IPX4
Dimensions / Weight	1-13/16" x 1-2/1" x 1-5/32" (46 x 38 x 29.5 mm) / 0.71 oz (20 g)

\* The specifications and design are subject to change without notice.

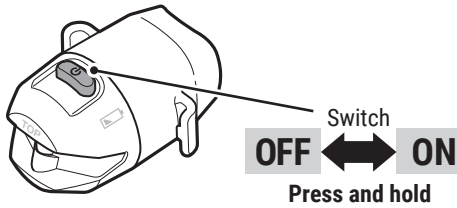
**Required Items**

Please prepare a USB cable 2.0 (Micro B) or later that can be used for charging (sold separately) before using this product.

Genuine CATEYE optional accessory

**5342730**  
USB cable

**Light unit**



Rubber band (L)



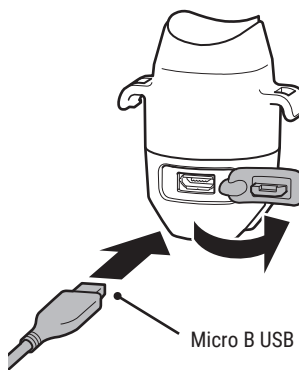
**Always charge the product before use.**

When the battery indicator lights up, the rear light can be operated for a further 30 minutes.

\* Charge the product as soon as possible, as the brightness will no longer conform to German Road Traffic Ordinance (StVZO) in this condition.

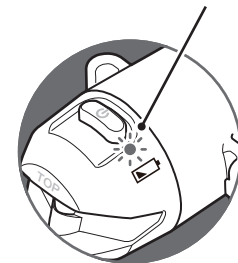
Standard charging time

Approx. **3h** (0.5 A)

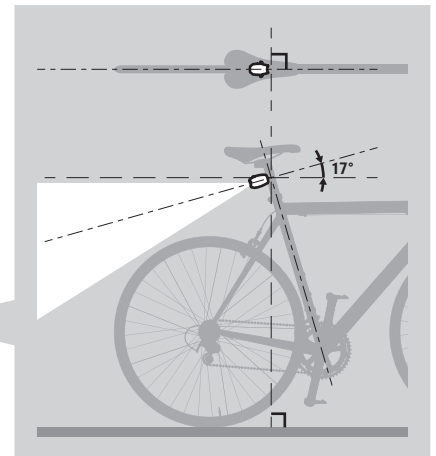
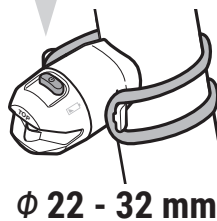
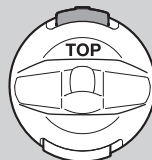


**Battery Indicator**

The LED will turn off automatically when charging is completed.



**Install the unit with the switch facing up.**



**Standard accessories**

**5447010**  
Rubber band



\* Use only size L for this product.

**LIMITED WARRANTY**

**2-year Warranty: Light unit only (excludes battery deterioration)**

CatEye products are warranted to be free of defects from materials and workmanship for a period of 2 years from original purchase. If the product fails to work during normal use, CatEye will repair or replace the defect at no charge. Service must be performed by CatEye or an authorized retailer. To return the product, pack it carefully and enclose the warranty certificate (proof of purchase) with instruction for repair. Please write or type your name and address clearly on the warranty certificate. Insurance, handling and transportation charges to CatEye shall be borne by person desiring service. For UK and REPUBLIC OF IRELAND consumers, please return to the place of purchase. This does not affect your statutory rights.

**CAT EYE CO.,LTD.**

2-8-25, KUWAZU, HIGASHI SUMIYOSHI-KU, OSAKA, JAPAN 546-0041  
For inquiries, please visit <https://cateye.com/intl/contact/>