



ORB™
RECHARGEABLE

SL-LD160RC-F
SL-LD160RC-R

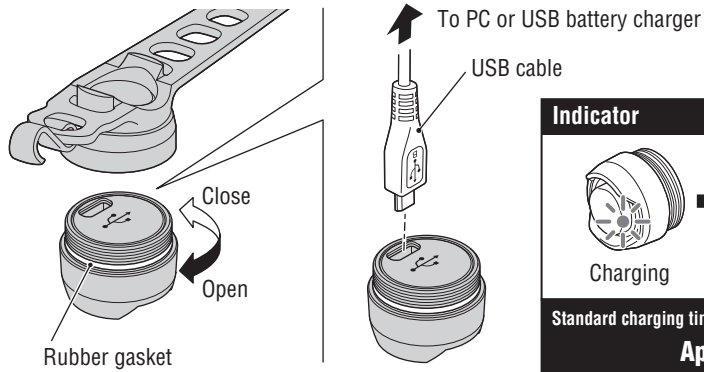
Manual

Before using the light, read this manual thoroughly and keep it for future reference.

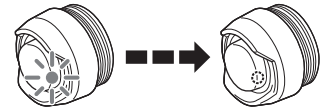
Design Pat. Pending
Copyright © 2020 CATEYE Co., Ltd.
SLLD160RCF/R-200313 3

ENG

1 BEFORE INITIAL USE / HOW TO CHARGE



Indicator



Charging

Charging is completed

Standard charging time

Approx. 3.5 h (0.5 A)

Before Initial Use

Be sure to charge it before use, according to the instructions "HOW TO CHARGE" and "Cautions on recharging".

⚠ WARNING!!!

- Before your trip, make sure the light is securely attached and lights up. Do not use a damaged rubber band.
- Always pay attention to the remaining battery power by checking the indicator periodically while using the light.

⚠ CAUTION!

- Stop your bicycle to operate the switch.
- Keep the light away from children.
- Make sure the light is securely attached to the band. Failure to do so may decrease the light's resistance to rain or cause the light to fall off during use.
- This device is rated IPX4 based on JIS C0920. Do not immerse the device in water. Doing so may cause a malfunction. Wipe off any moisture after using the device in rainy weather.

⚠ LITHIUM-ION BATTERIES

When charging for the first time or after a prolonged period of disuse

The voltage of the rechargeable battery may drop during a long period of storage due to self-discharge. Charge the battery prior to use.

Cautions on recharging

- Avoid charging in direct sunlight or in a vehicle parked under direct sunlight, and make sure to charge only when the ambient temperature is between 41°F and 104 °F (5 and 40°C).
- Before charging, be sure that no dust or other foreign objects are attached to the USB plug.
- Do not subject the light to vibrations while charging.
- Once charging is complete, be sure to disconnect the USB plug.

Cautions in use

- Charging, discharging, and storing in high temperatures will cause the rechargeable battery to deteriorate faster. Do not place the light inside a vehicle or near a heater.
- If the illumination time is significantly reduced even after proper charging, the rechargeable battery may be nearing the end of its service life. Dispose of the used rechargeable battery according to local regulations.

Cautions on storage

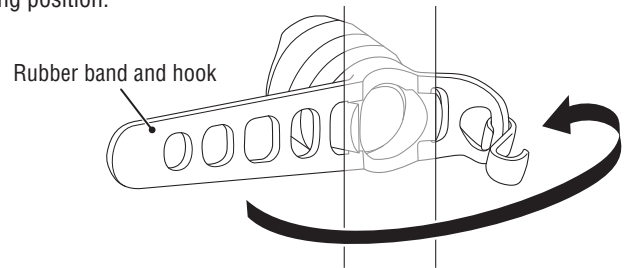
Cool and dry storage is recommended. For long period storage, it is important to charge the battery 30 minutes every 6 months.

Cautions for disposal

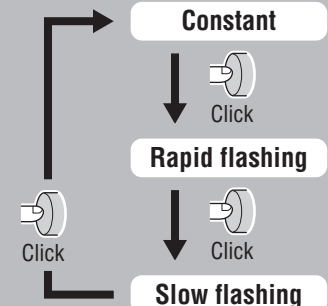
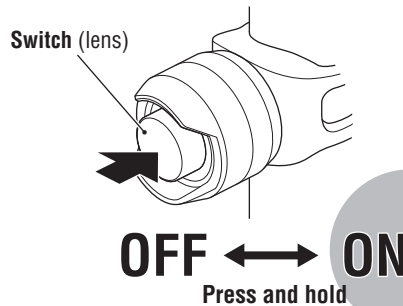
When disposing of the light unit, dispose of it according to local regulations.

2 HOW TO MOUNT

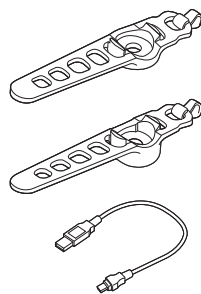
Attach securely in the mounting position.



3 SWITCH OPERATION



SPARE/OPTIONAL PARTS



5442811
Rubber band and hook
(SL-LD160-F)

5442810
Rubber band and hook
(SL-LD160-R)

5342730
USB cable
(MICRO USB)

LIMITED WARRANTY

2-year Warranty: Light unit only (excludes battery deterioration)

CatEye products are warranted to be free of defects from materials and workmanship for a period of 2 years from original purchase. If the product fails to work during normal use, CatEye will repair or replace the defect at no charge. Service must be performed by CatEye or an authorized retailer. To return the product, pack it carefully and enclose the warranty certificate (proof of purchase) with instruction for repair. Please write or type your name and address clearly on the warranty certificate. Insurance, handling and transportation charges to CatEye shall be borne by person desiring service. For UK and REPUBLIC OF IRELAND consumers, please return to the place of purchase. This does not affect your statutory rights.

CAT EYE CO., LTD.

2-8-25, Kuwazu, Higashi Sumiyoshi-ku, Osaka 546-0041 Japan
Attn: CATEYE Customer Service Section
Phone : (06)6719-6863 E-mail : support@cateye.co.jp
Fax : (06)6719-6033 URL : https://www.cateye.com

[For US Customers]

CATEYE AMERICA, INC.
2825 Wilderness Place Suite 1200, Boulder CO
80301-5494 USA
Phone: 303.443.4595 Toll Free: 800.5.CATEYE
Fax : 303.473.0006 E-mail : service@cateye.com

SPECIFICATIONS

Battery	Lithium-ion polymer battery 3.7 V - 70 mAh
Charge	Micro USB plug
Operating time	SL-LD160RC-F / SL-LD160RC-R
• Constant :	Approx. 3 h / 2.5 h
• Rapid flashing :	Approx. 6.5 h / 5 h
• Slow flashing :	Approx. 6.5 h / 5 h
	* Average runtime at 20°C.
Standard charging time	Approx. 3.5 hours (0.5 A)
Temperature range	Charging : 41°F - 104°F (5°C - 40°C) Operating : 14°F - 104°F (-10°C - 40°C)
Recharge/discharge number of times	About 300 times (until the rated capacity drops to 70%)
Dimensions/weight	Ø1-1/16" x 1-1/16" (Ø27 x 27 mm) / 0.9 oz (25 g)
* The specifications and design are subject to change without notice.	