

ENG



ORBIT 2

MODEL: SL-LD150

Design Pat. Pending
Copyright© 2015 CATEYE Co., Ltd.
SLLD150-151216 2

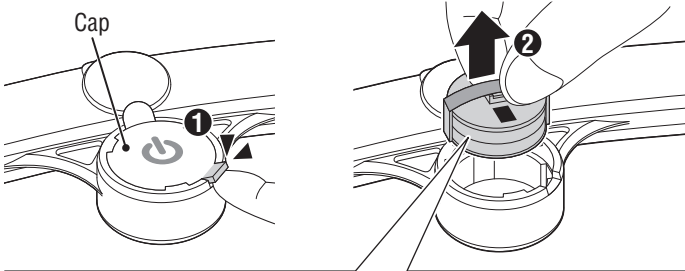


Before using the product, please thoroughly read this manual and keep it for future reference.

CAUTION!

- If a child swallows a battery, consult a doctor immediately.
- Keep the light away from children.
- Do not misplace the plus or minus sides of the batteries.
- Please do not mix new and old batteries.
- Risk of explosion if battery is replaced by an incorrect type. Dispose of used batteries according to local regulations.
- This product is water-resistant under normal daily use and can be used in the rain. However, do not intentionally submerge it in water.

1. BEFORE INITIAL USE



Insulation sheet

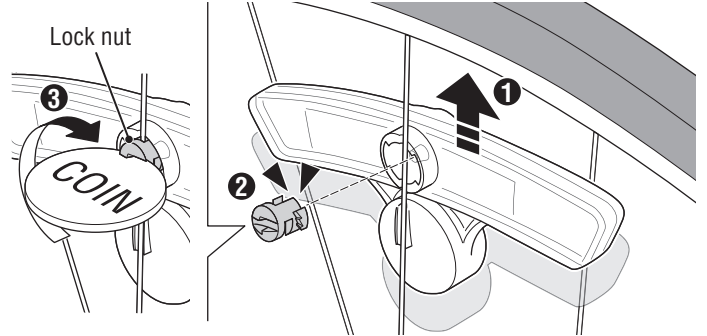
OK

NO!

HOW TO INSTALL BATTERY
CR2032 x 2

CAUTION!
If the cap is not completely closed, the water may enter the product.

2. HOW TO MOUNT



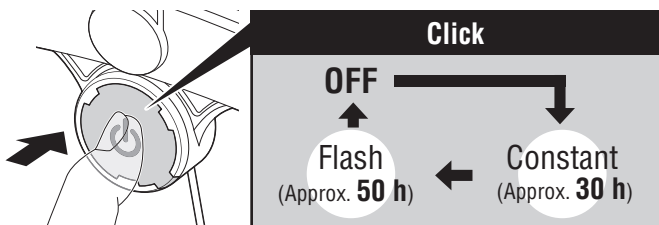
Place the nut into the reflector hole putting the spoke in between then tighten it securely using a coin.

- Fix the reflector on a spoke so that the reflector is roughly parallel with the rim.
 - Fix the reflector in place in a position that is as close to the tire as possible.
 - Mount the reflector onto a spoke securely so that the reflector does not move up and down.
- * Please visit CATEYE website for applicable spoke type and size.

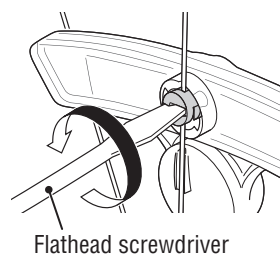
SPARE/OPTIONAL PARTS



3. SWITCH OPERATION



REMOVING THE REFLECTOR



To remove the reflector, insert a flathead screwdriver into the lock nut, and then turn the lock nut in the counterclockwise direction.

CAUTION!
Be sure to use a new lock nut (sold separately) when you mount the reflector onto a spoke again.

SPECIFICATIONS

- Battery** : Lithium battery (CR2032) x 2
Temperature range : 14 °F – 104 °F (-10 °C – 40 °C)
Dimensions/weight : 5-15/64" x 1-59/64" x 45/64" (133 x 49 x 18 mm) / 1.34 oz (38 g) (Including batteries)
- * Life of factory-installed battery may be shorter than indicated above.
 * The specifications and design are subject to change without notice.

LIMITED WARRANTY

2-year Warranty: Light unit only
 CatEye products are warranted to be free of defects from materials and workmanship for a period of 2 years from original purchase. If the product fails to work during normal use, CatEye will repair or replace the defect at no charge. Service must be performed by CatEye or an authorized retailer. To return the product, pack it carefully and enclose the warranty certificate (proof of purchase) with instruction for repair. Please write or type your name and address clearly on the warranty certificate. Insurance, handling and transportation charges to CatEye shall be borne by person desiring service.
 For UK and REPUBLIC OF IRELAND consumers, please return to the place of purchase. This does not affect your statutory rights.

CAT EYE CO., LTD.
 2-8-25, Kuwazu, Higashi Sumiyoshi-ku, Osaka 546-0041 Japan
 Attn: CATEYE Customer Service Section
 Phone : (06)6719-6863 Fax : (06)6719-6033
 E-mail : support@cateye.co.jp URL : http://www.cateye.com

[For US Customers]
 CATEYE AMERICA, INC.
 2825 Wilderness Place Suite 1200, Boulder CO 80301-5494 USA
 Phone : 303.443.4595 TollFree : 800.5.CATEYE
 Fax : 303.473.0006 E-mail : service@cateye.com