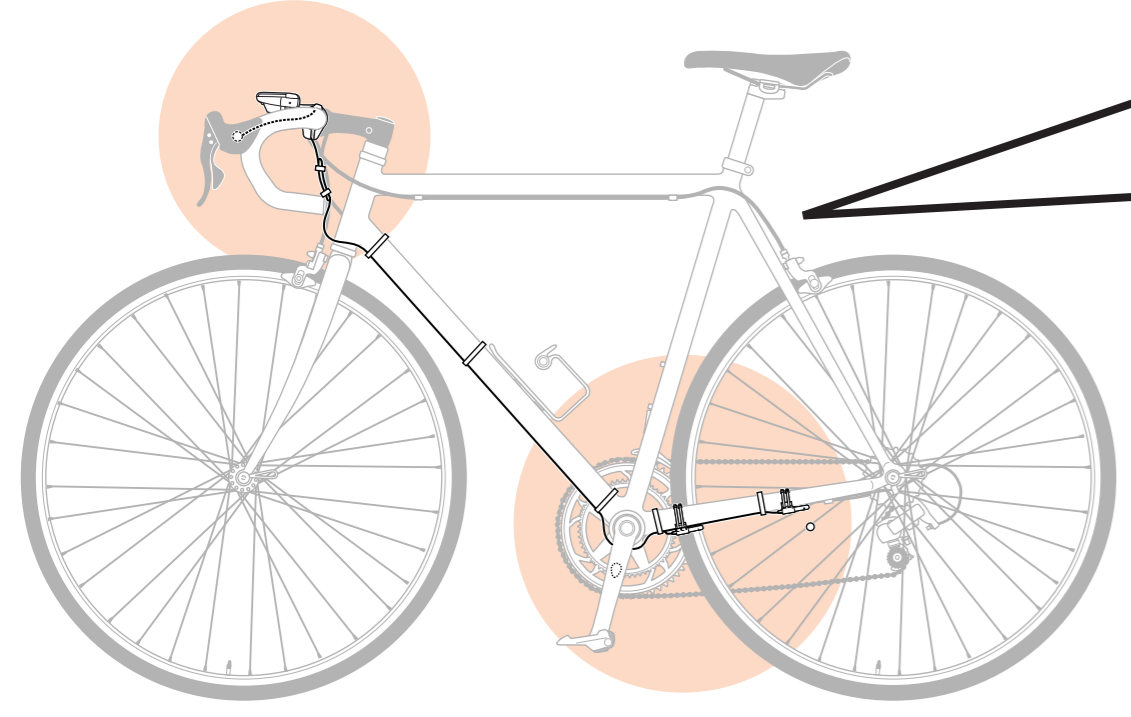
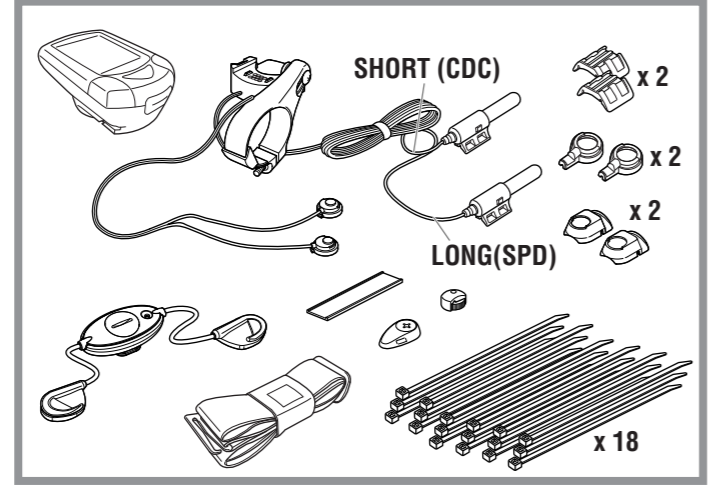


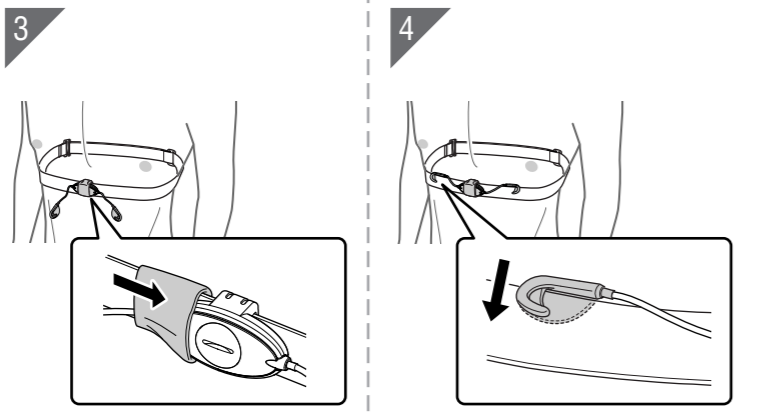
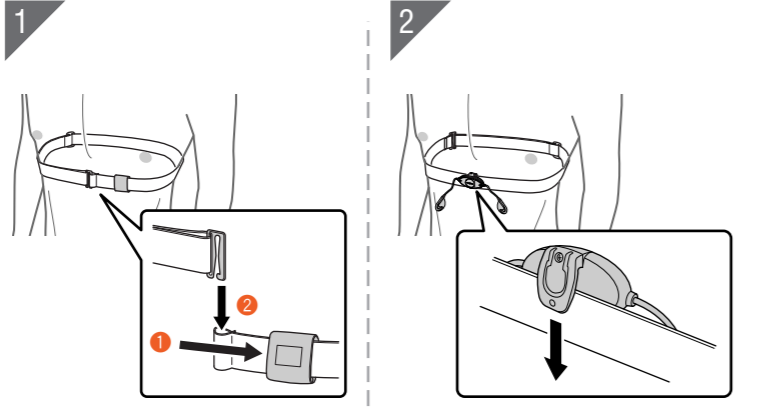
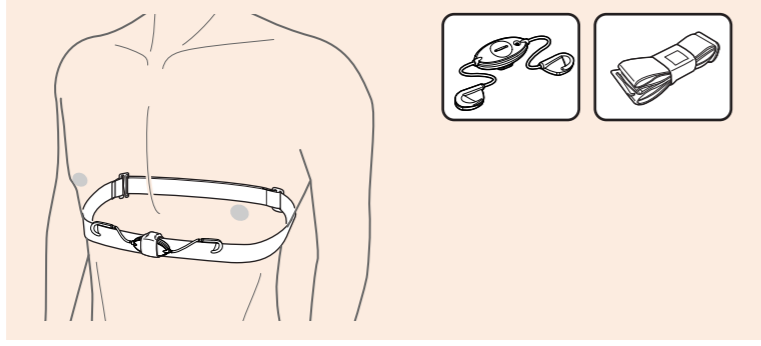
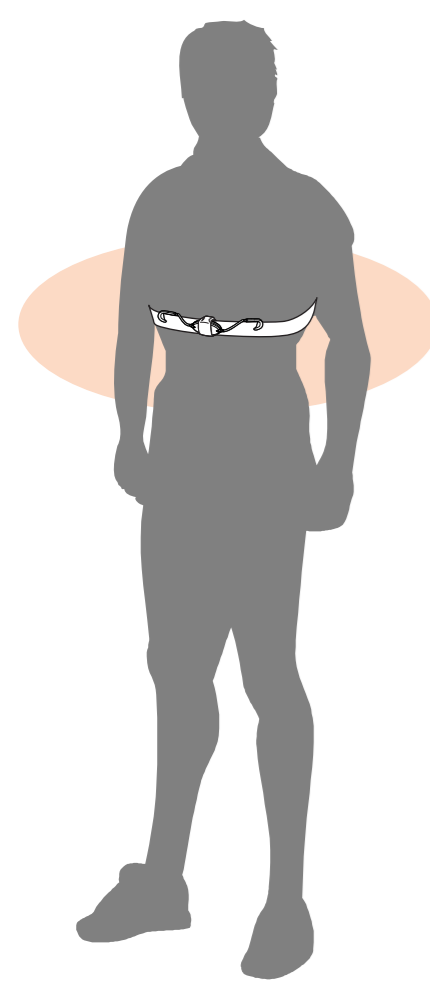


CC-TR100 CYCLOCOMPUTER

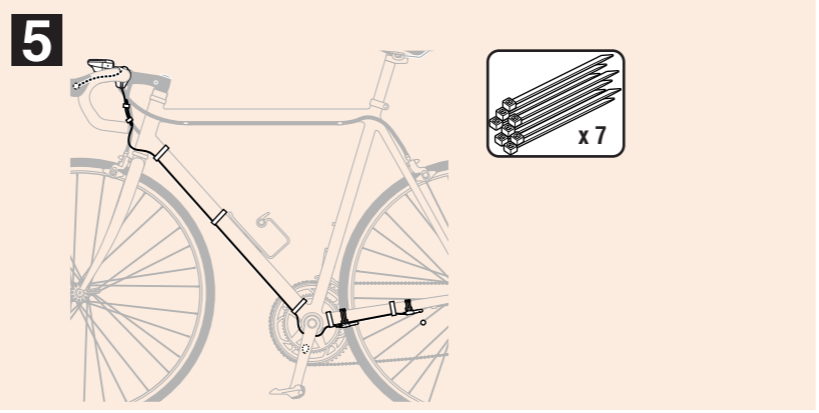
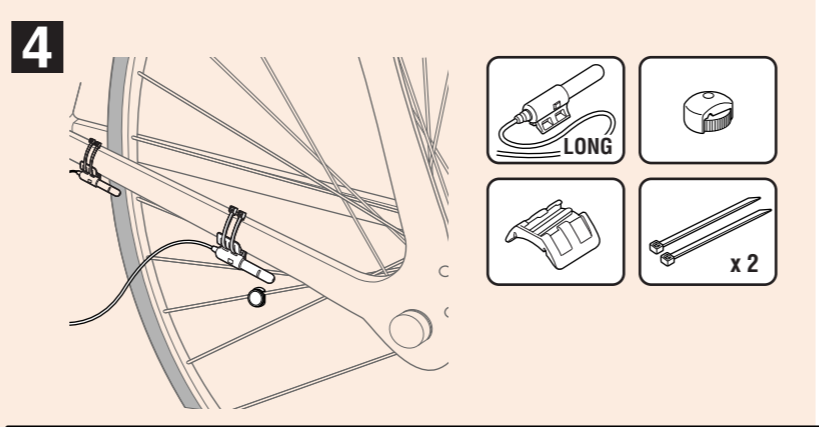
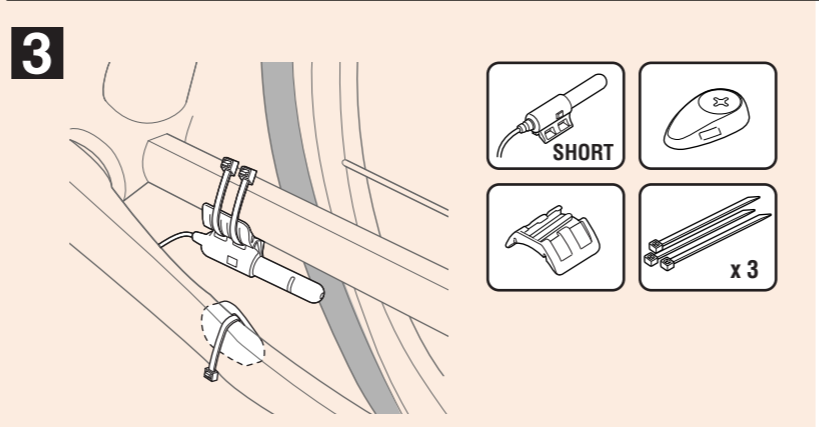
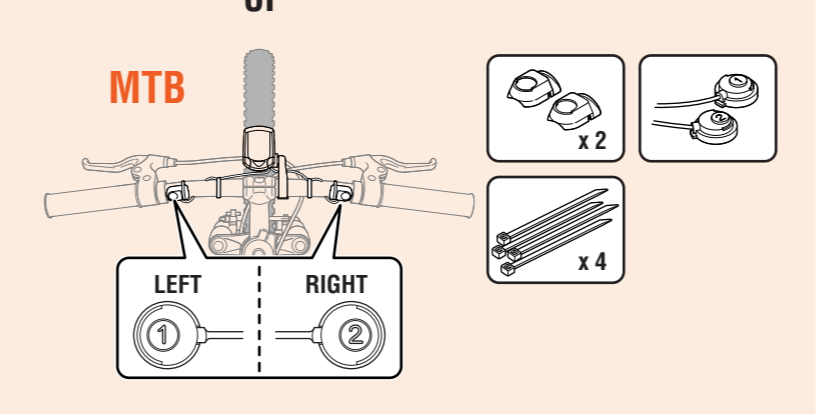
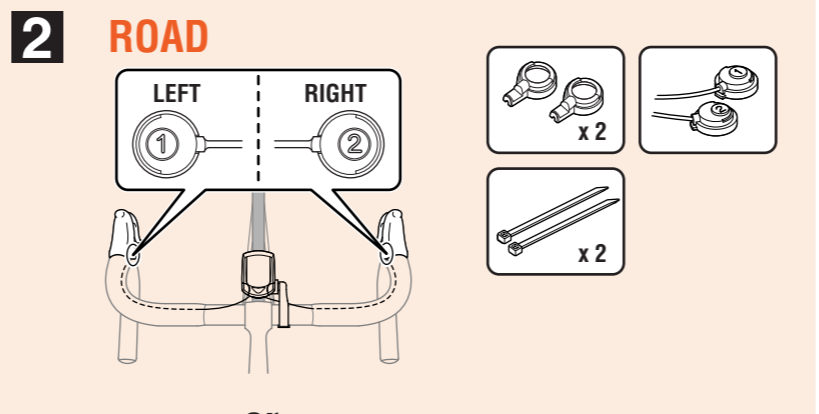
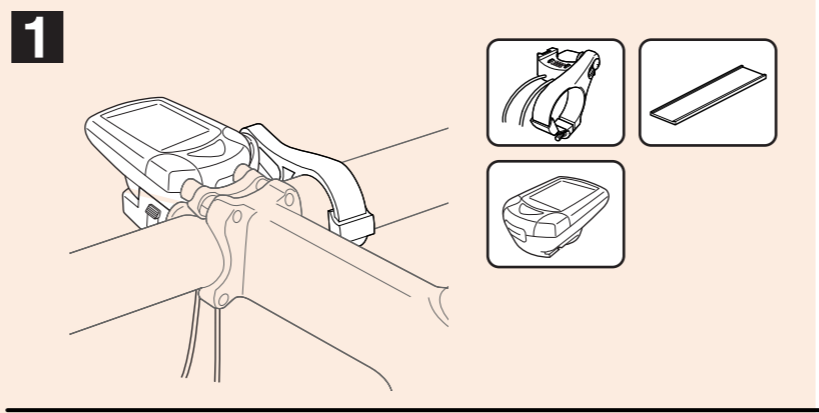
Quick Start Manual



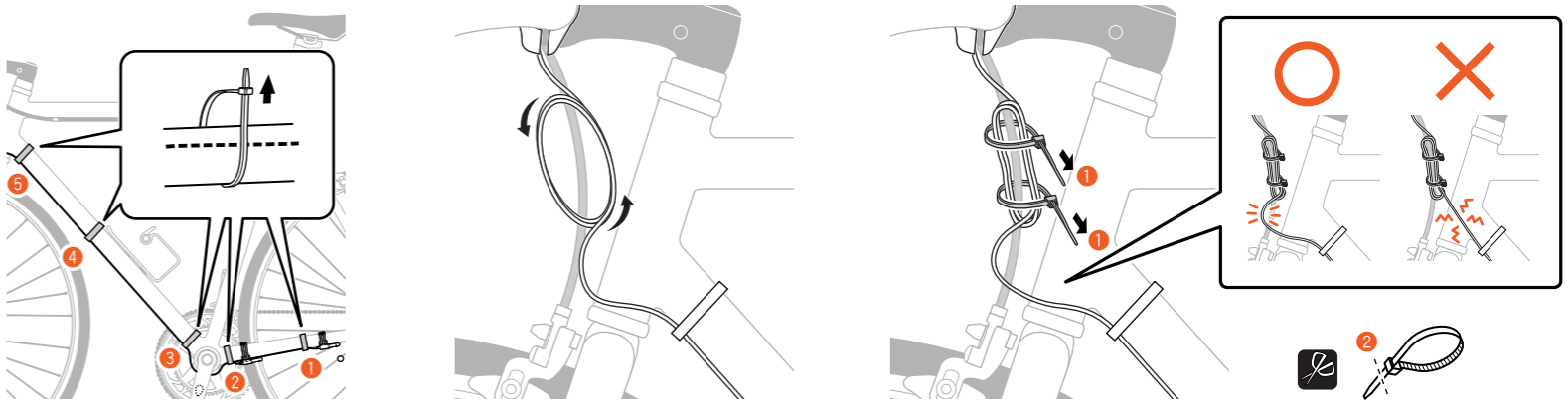
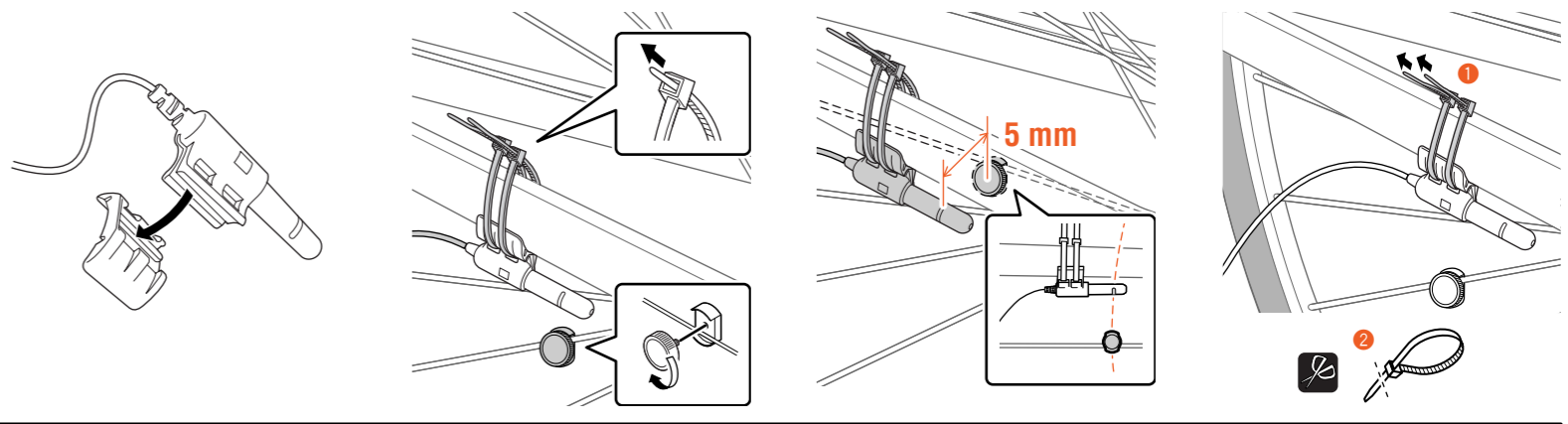
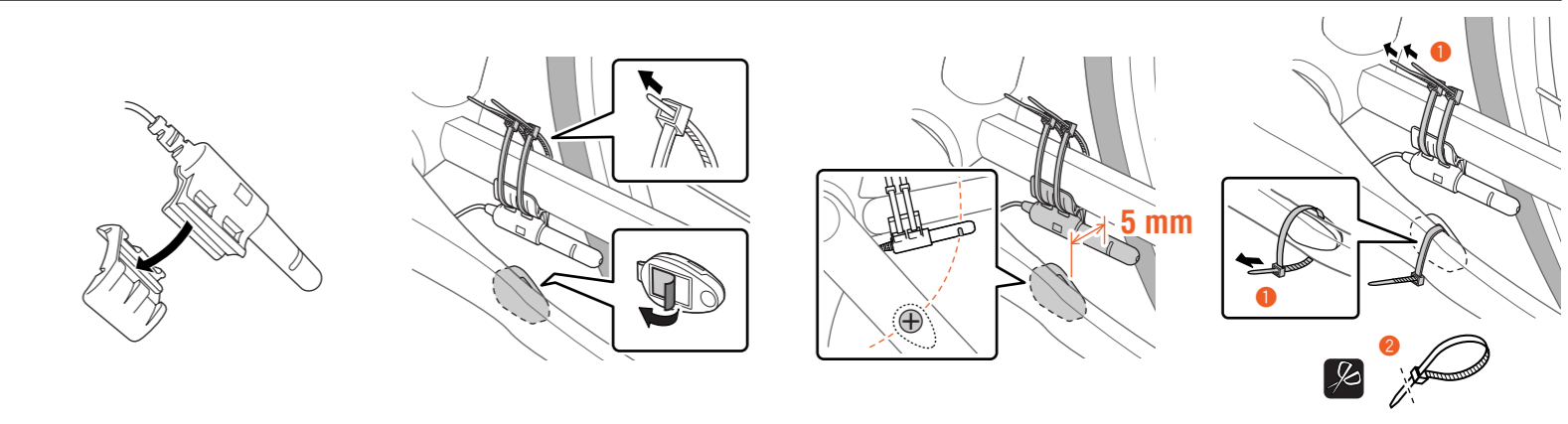
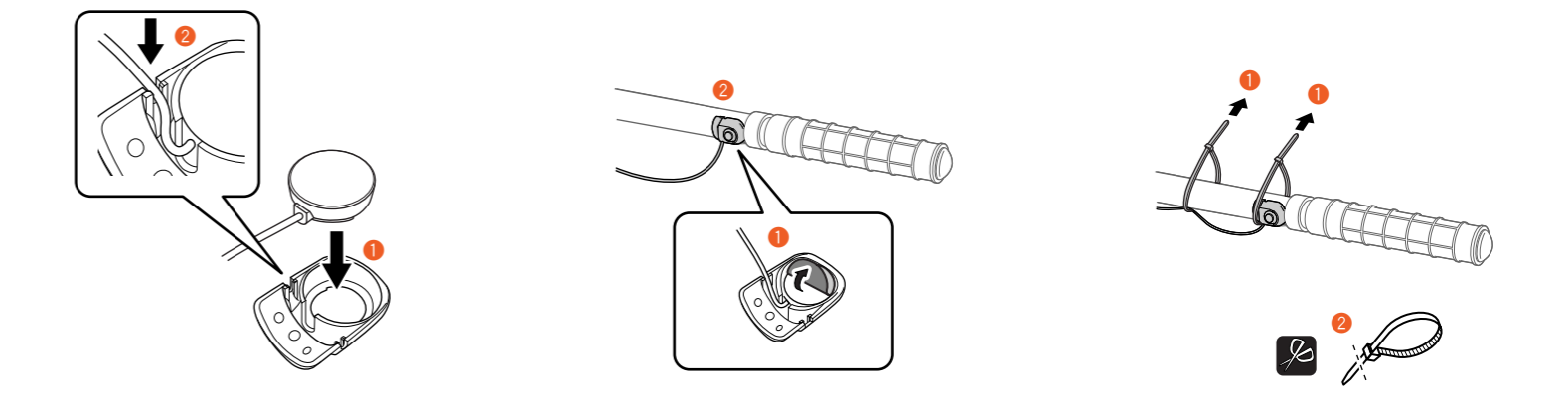
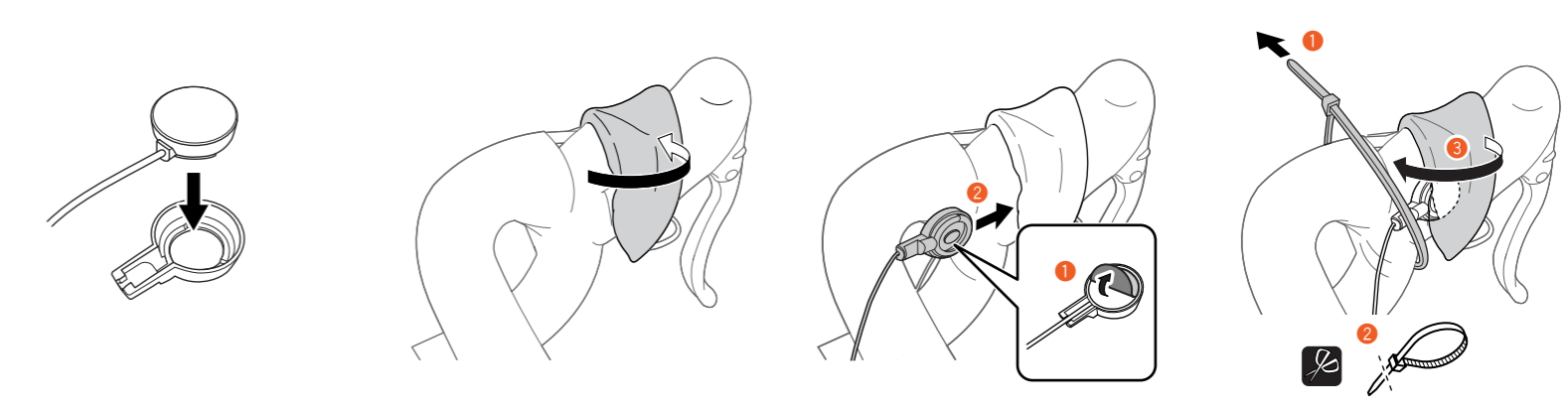
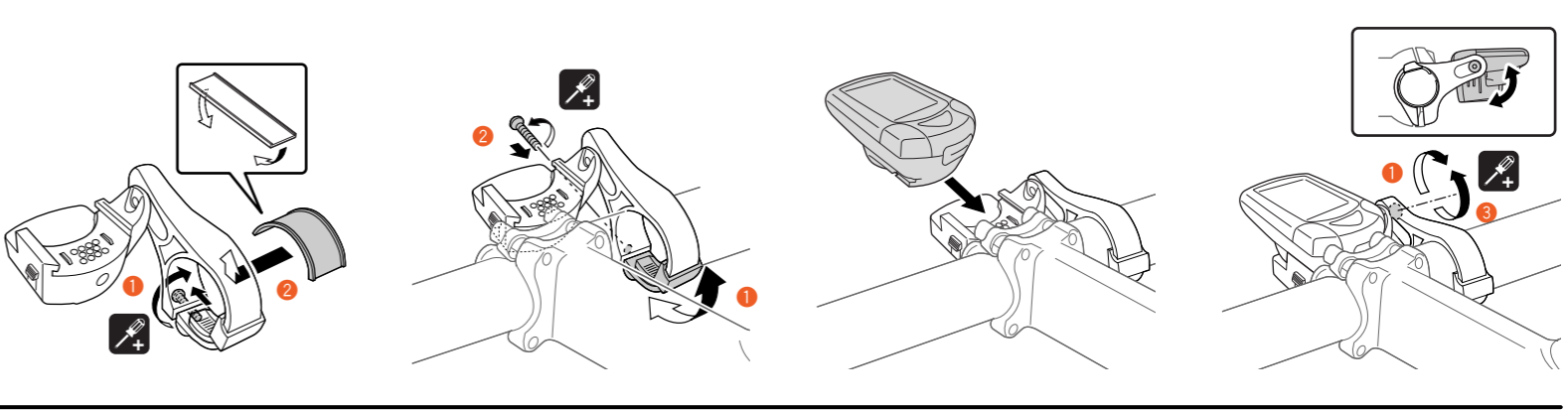
INSTALLATION IMAGE



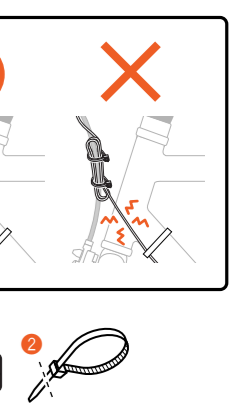
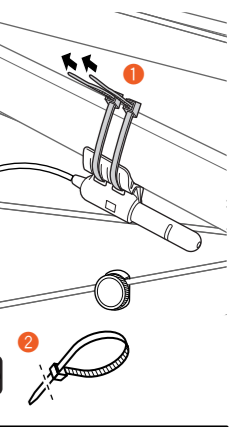
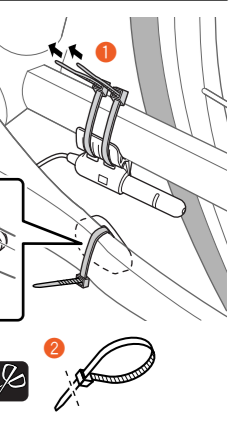
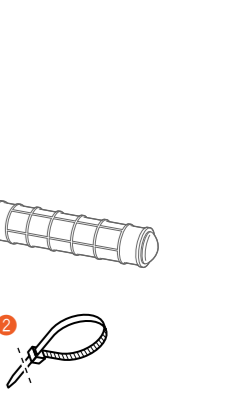
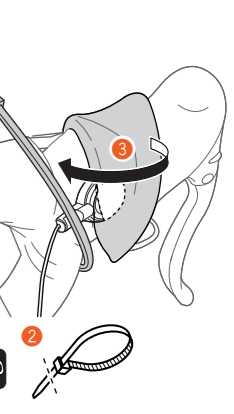
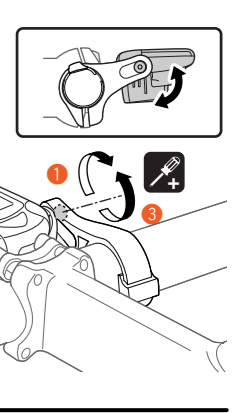
INSTALLATION IMAGE



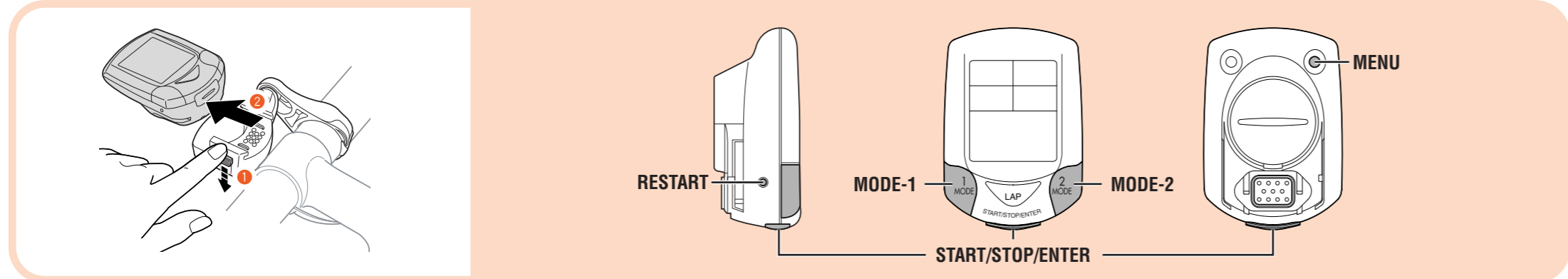
START



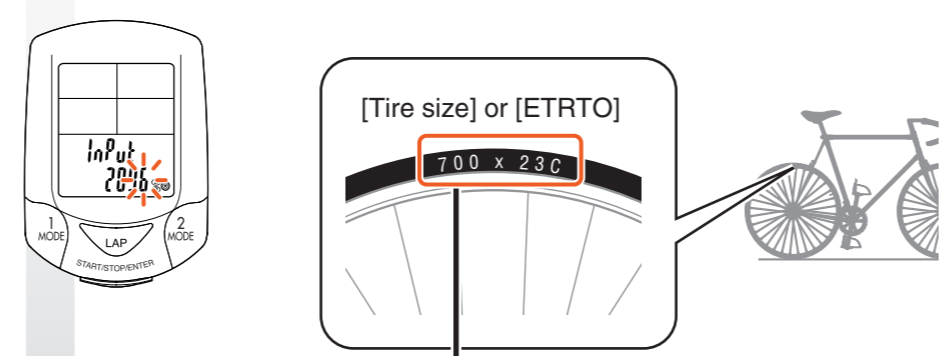
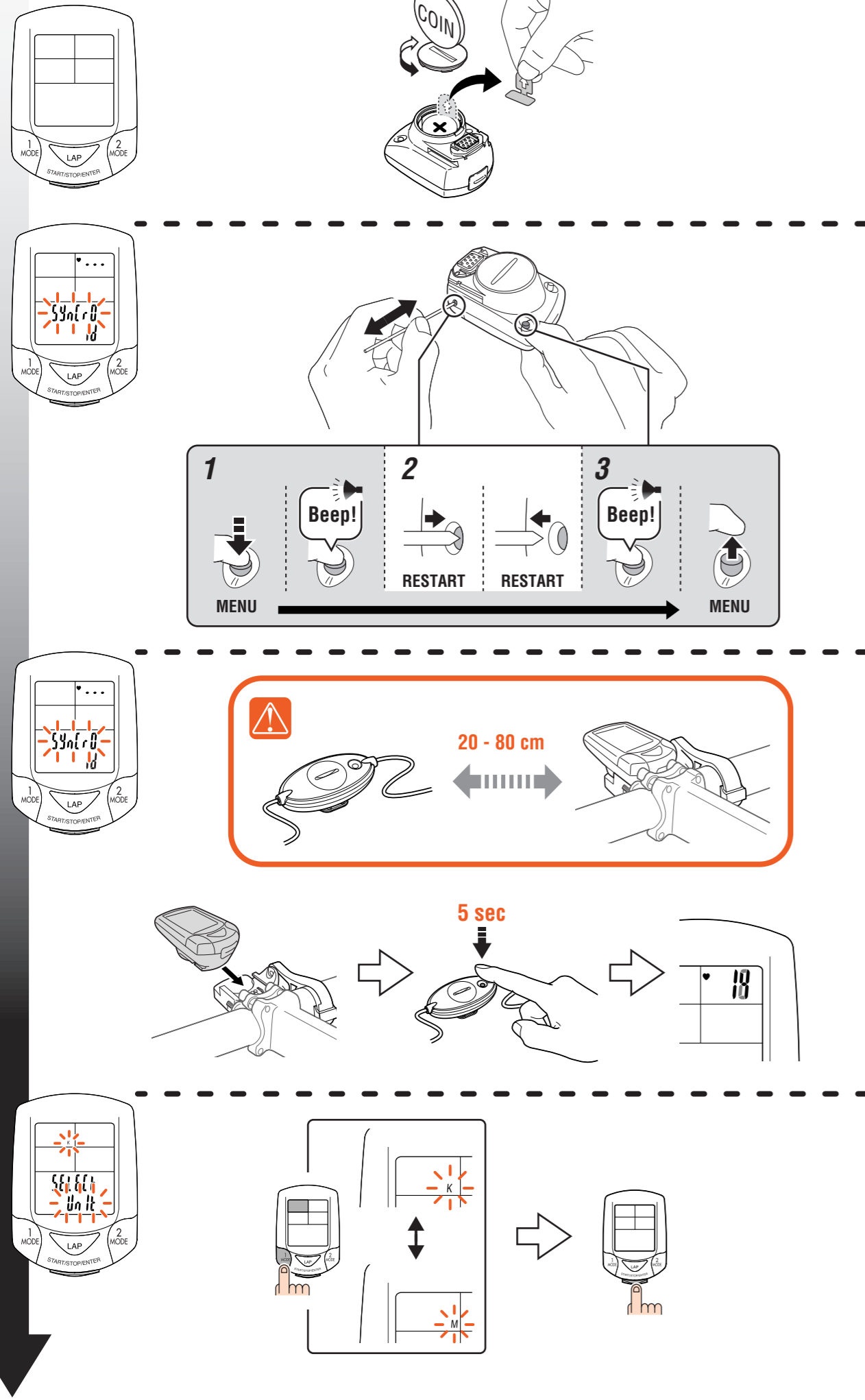
END



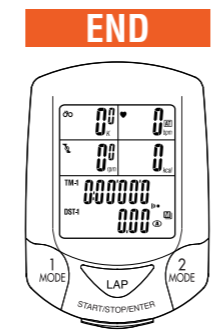
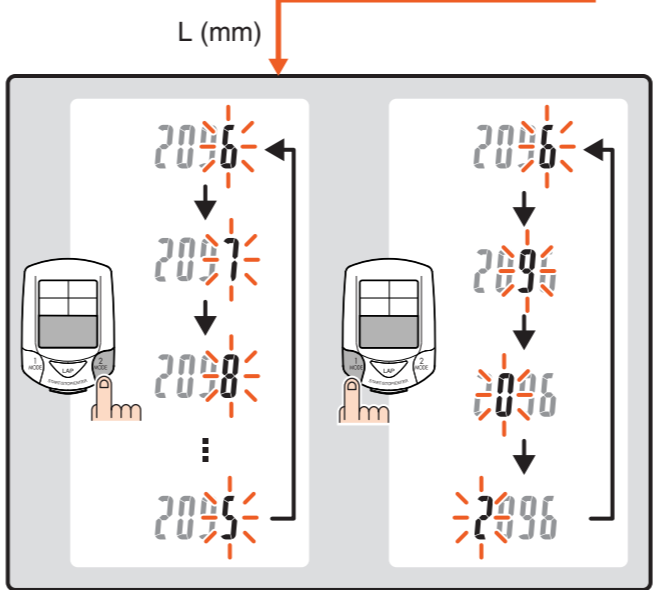
MAIN UNIT SET-UP



START

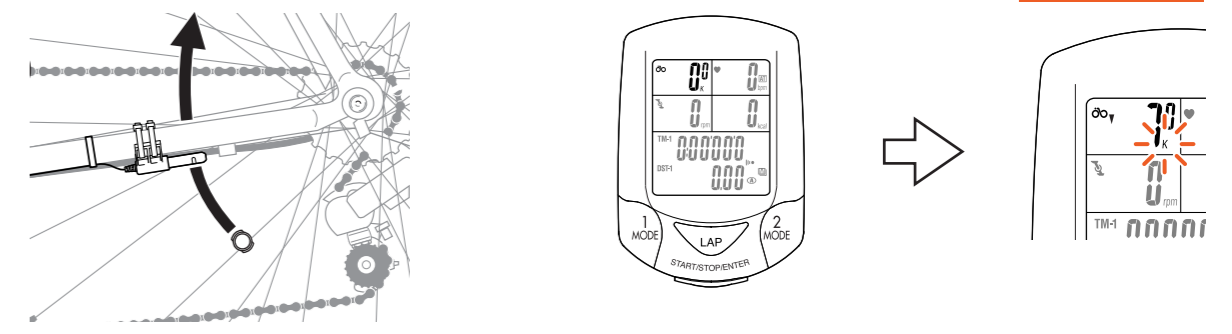


ETRTO	Tire size	L (mm)	ETRTO	Tire size	L (mm)
	12 x 1.75	935	47-559	26 x 1.75	2023
	14 x 1.50	1020	50-559	26 x 1.95	2050
	14 x 1.75	1055	54-559	26 x 2.00	2055
	16 x 1.50	1185		26 x 2.10	2068
47-305	16 x 1.75	1195	57-559	26 x 2.125	2070
	18 x 1.50	1340		26 x 2.35	2083
	18 x 1.75	1350	57-559	26 x 3.00	2170
47-406	20 x 1.75	1515		27 x 1	2145
	20 x 1-3/8	1615		27 x 1-1/8	2155
	22 x 1-3/8	1770	32-630	27 x 1-1/4	2161
	22 x 1-1/2	1785		27 x 1-3/8	2169
	24 x 1	1753		650 x 35A	2090
	24 x 3/4 Tubular	1785		650 x 38A	2125
	24 x 1-1/8	1795	18-622	650 x 38B	2105
	24 x 1-1/4	1905		700 x 18C	2070
47-507	24 x 1.75	1890		700 x 19C	2080
	24 x 2.00	1925	20-622	700 x 20C	2086
	24 x 2.125	1965	23-622	700 x 23C	2096
	26 x 7/8	1920	25-622	700 x 25C	2105
23-571	26 x 1(59)	1913	28-622	700 x 28C	2136
	26 x 1(65)	1952		700 x 30C	2170
	26 x 1.25	1953	32-622	700 x 32C	2155
	26 x 1-1/8	1970		700C Tubular	2130
37-590	26 x 1-3/8	2068	37-622	700 x 35C	2168
	26 x 1-1/2	2100		700 x 38C	2180
	26 x 1.40	2005	40-522	700 x 40C	2200
40-559	26 x 1.50	2010			

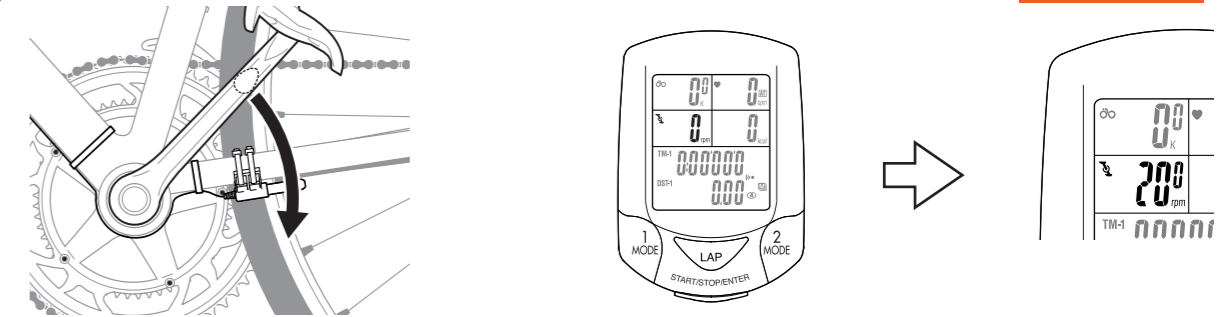


TEST

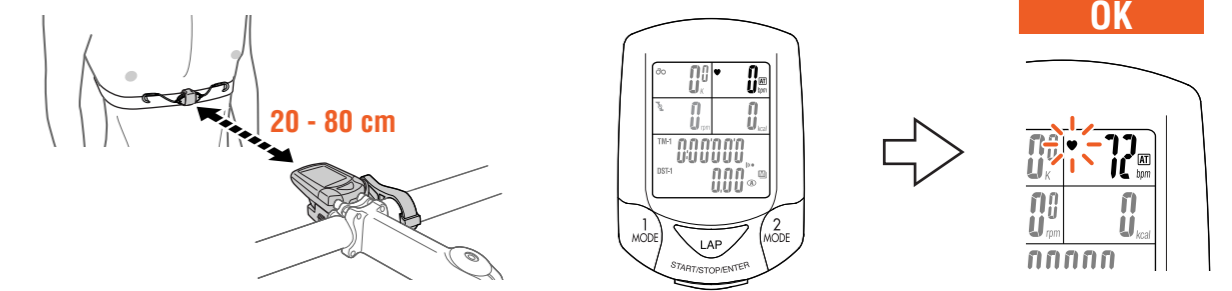
SPEED



CADENCE



HART RATE



BASIC OPERATION

