



ENG



**NIMA**  
SL-LD130-R

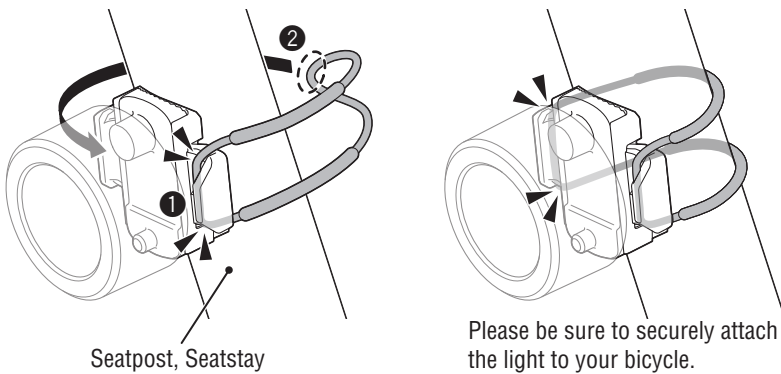
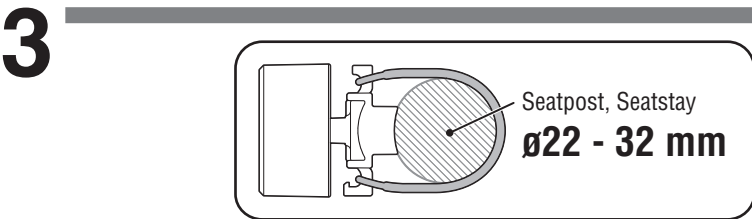
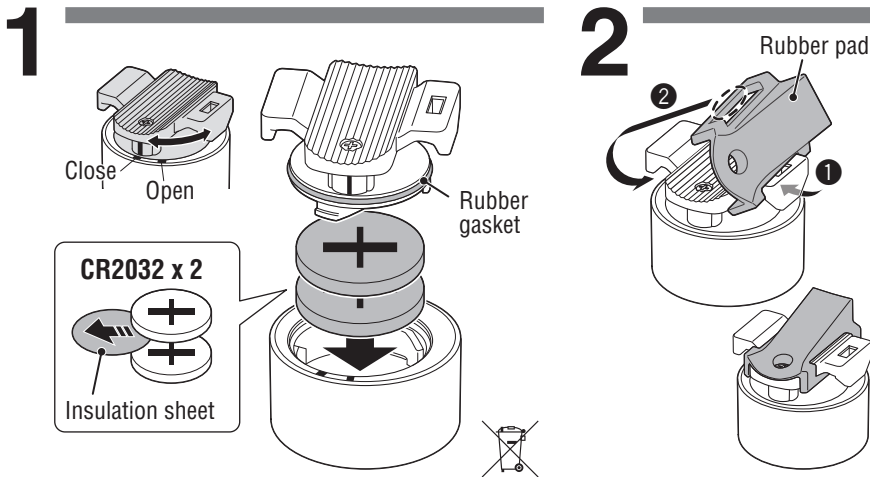
Design Pat. Pending  
Copyright© 2013 CATEYE Co., Ltd.  
SLLD130R-130410 3



**Before using the product, please thoroughly read this manual and keep it for future reference.**

**CAUTION!**

- If a child swallows a battery, consult a doctor immediately.
- Please make sure the light is completely closed, as to avoid compromising the water resistant capability of the light.
- Stop your bicycle to operate the switch.
- Keep the light away from children.
- Do not misplace the plus or minus sides of the batteries.
- Please do not mix new and old batteries.



The light will turn on in the lighting mode previously selected.

**Click**

**Press and hold**

**ON ↔ OFF**

---

**Click**

Lighting mode switch

Rapid	←	Constant
Approx. 70 h		Approx. 15 h
↓		↑
Pulse	→	Flash
Approx. 70 h		Approx. 80 h

**SPECIFICATIONS**

- **Battery**  
Lithium battery (CR2032) x 2
- **Operating time**  
Rapid : Approx. 70 hours  
Pulse : Approx. 70 hours  
Flash : Approx. 80 hours  
Constant : Approx. 15 hours  
\* Average runtime at 20 °C.

■ **Temperature range**  
14°F – 104°F (-10°C – 40°C)

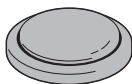
■ **Dimensions/weight**  
1-13/64" x 1-13/64" x 1-1/16" (30.6 x 30.6 x 26.9 mm) / 0.71 oz (20 g) (Including batteries)

\*The specifications and design are subject to change without notice.

**SPARE/OPTIONAL PARTS**



**5441620**  
Rubber band



CR2032

**1665150**  
Lithium battery

**LIMITED WARRANTY**

**2-year Warranty: Light unit only**

CatEye products are warranted to be free of defects from materials and workmanship for a period of 2 years from original purchase. If the product fails to work during normal use, CatEye will repair or replace the defect at no charge. Service must be performed by CatEye or an authorized retailer. To return the product, pack it carefully and enclose the warranty certificate (proof of purchase) with instruction for repair. Please write or type your name and address clearly on the warranty certificate. Insurance, handling and transportation charges to CatEye shall be borne by person desiring service. For UK and REPUBLIC OF IRELAND consumers, please return to the place of purchase. This does not affect your statutory rights.

Please register your CatEye product on the website.  
<http://www.cateye.com/en/support/register/>

**CATEYE CO., LTD.**

2-8-25, Kuwazu, Higashi Sumiyoshi-ku, Osaka 546-0041 Japan  
Attn: CATEYE Customer Service Section  
Phone : (06)6719-6863  
Fax : (06)6719-6033  
E-mail : support@cateye.co.jp  
URL : http://www.cateye.com

**[For US Customers]**  
CATEYE AMERICA, INC.  
2825 Wilderness Place Suite 1200, Boulder CO80301-5494 USA  
Phone : 303.443.4595  
TollFree : 800.5CATEYE  
Fax : 303.473.0006  
E-mail : service@cateye.com